

ADC AD-45x2R

AD-45x2R Specifications

Tumbler Capacity (dry weight per pocket)	45 lbs. (20.4 kg)	
Tumbler Diameter	32-3/4" (83.2 cm)	
Tumbler Depth	30" (76.2 cm)	
Tumbler Volume (per pocket)	14.6 cu ft (413.4 L)	
Tumbler/Drive Motor (per pocket)	1/3 hp (0.25 kW)	
Blower/Fan Motor (per pocket)	1/2 hp (.37 kW)	
Door Opening (Diameter)	27" (68.6 cm)	
Door Sill Height	top pocket	50.4" / 10.3"
	bottom pocket	(128 cm / 26.2 cm)
Dryers per 20'/40' Container	10/21	
Dryers per 48'/53' Truck	25/28	
Width	34-1/4 (87 cm)	
Depth	47-7/8 (121.6 cm)	
Height	81" (205.7 cm)	
Airflow (per pocket)	60 Hz	525 cfm (14.9 cmm)
Exhaust Connection	10" (25.4 cm)	
GAS MODEL:	Voltage Available	120v-240v 1ø 2w 50/60 Hz
	Approx. Net Wt.	640 lbs (290 kg)
	Approx. Ship Wt.	700 lbs (318 kg)
	Heat Input (per pocket)	94,000 btu/hr (23.688 kcal/hr)
	Inlet Pipe Connection (per dryer)	1/2" M.N.P.T.

Electrical Specs are per pocket

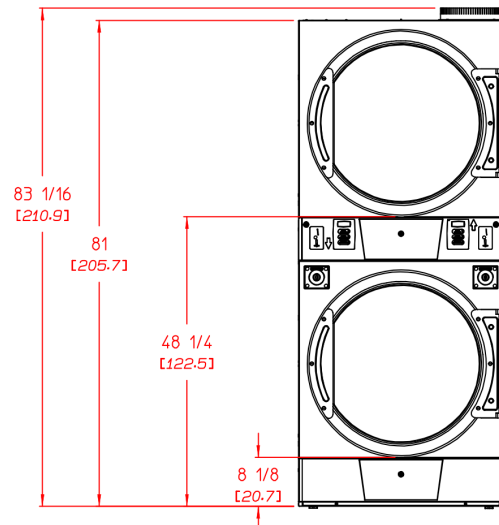
Electrical Service Specifications

GAS (Reversing & Non-Reversing)

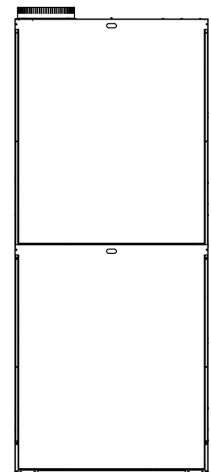
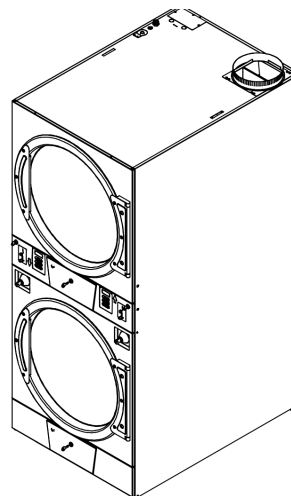
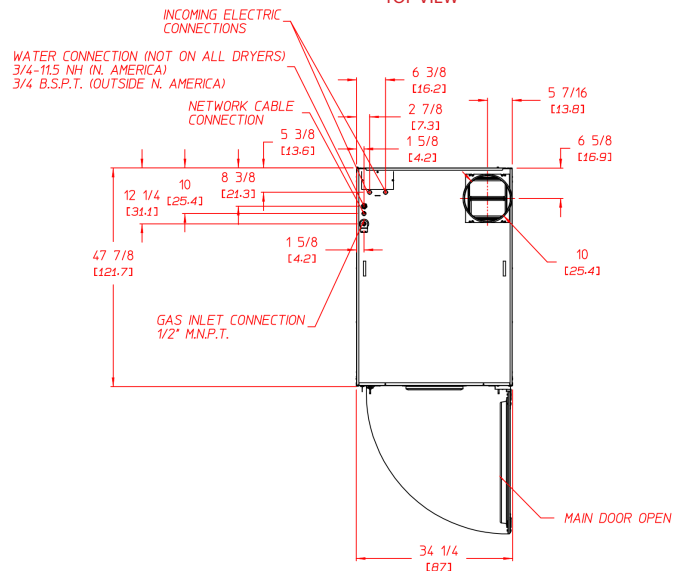
SERVICE VOLTAGE	PHASE	WIRE SERVICE	APPROX AMP DRAW		CIRCUIT BREAKER
			60 Hz	50 Hz	
120	1ø	2	7.6	--	15
208	1ø	2	5.7	--	15
220	1ø	2	--	5.7	15
230	1ø	2	--	5.7	15
240	1ø	2	5	--	15

REV 10/17/14

FRONT VIEW



TOP VIEW



REAR VIEW